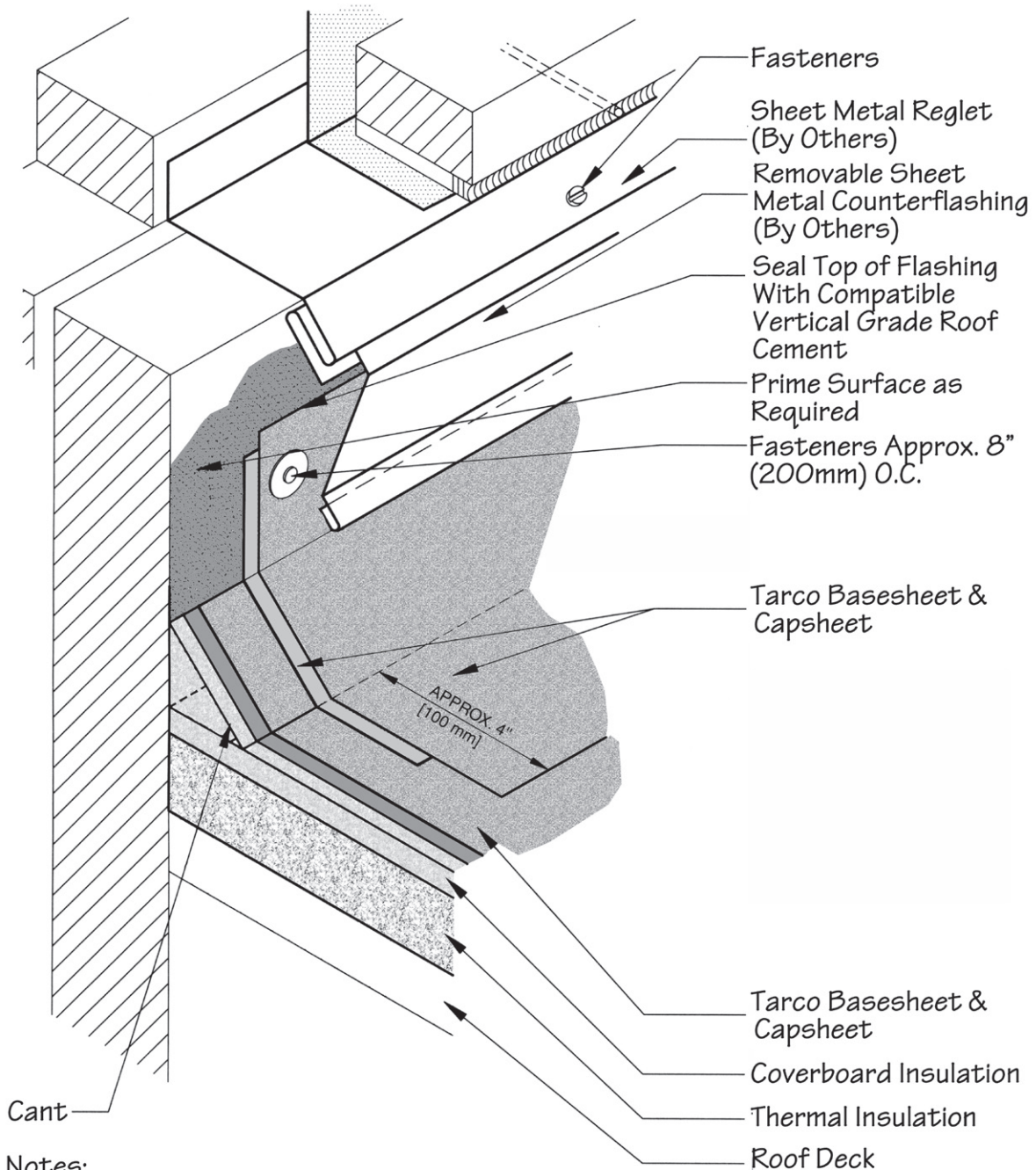


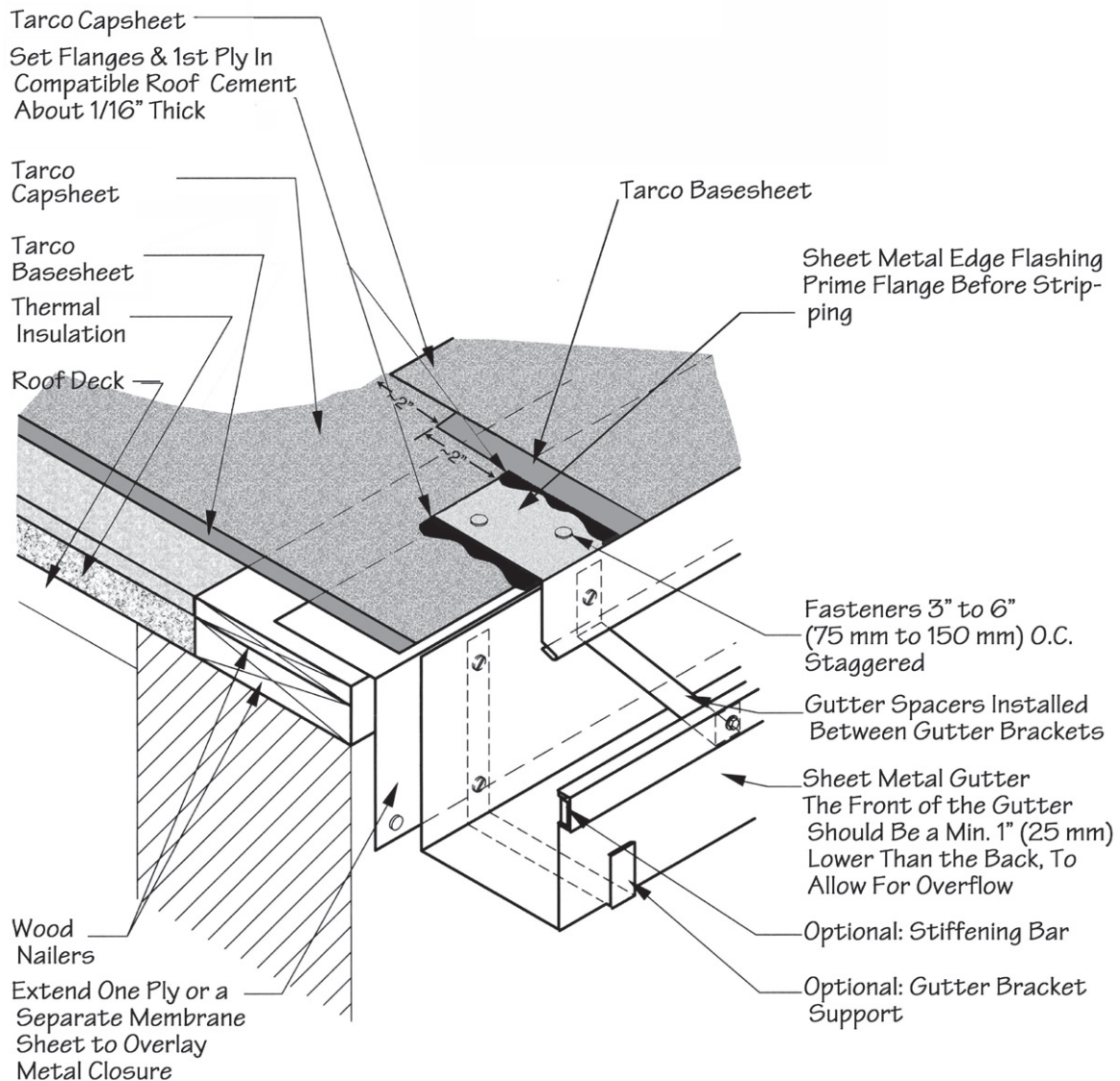
Cap Sheet Base Flashing Detail



Notes:

1. This detail should be used only where the deck is supported by the wall.
2. Use industry recommendations (SMACNA & NRCA) for metal thickness, attachment, etc.

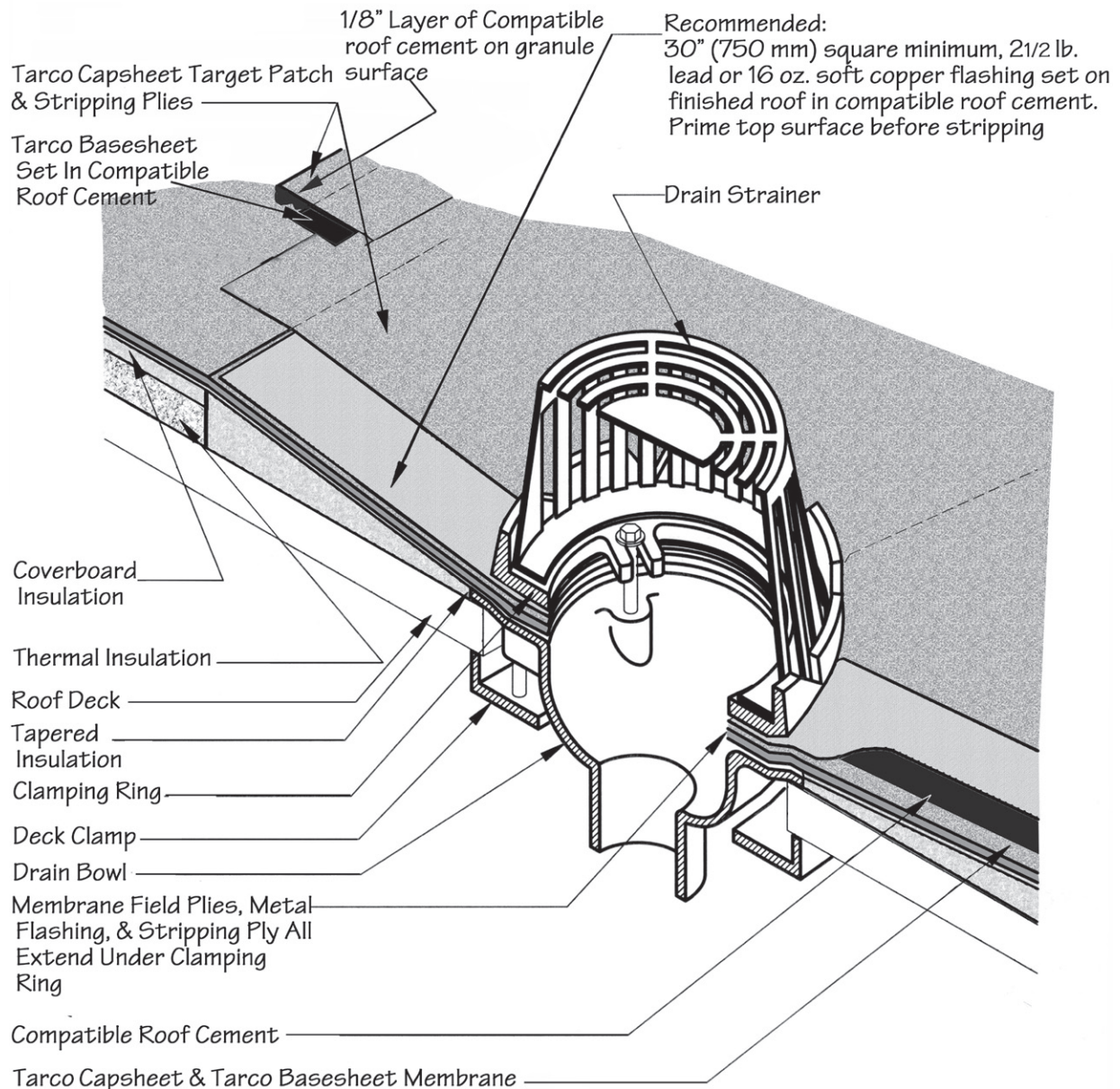
Cap Sheet Gutter/Gravel Stop Detail



Notes:

1. For a gravel stop detail, replace the sheet metal edge flashing and gutter with a gravel stop. Use a continuous cleat in the drip edge, one gauge heavier, to secure the lower edge of the gravel stop. Tapered insulation at the edge of the roof is recommended to raise the gravel stop out of the plane of the roof.
2. In cold climates where temperatures remain below freezing for extended periods of time, an interior drain is recommended.
3. Use industry recommendations (SMACNA & NRCA) for the metal thickness, attachment, etc.

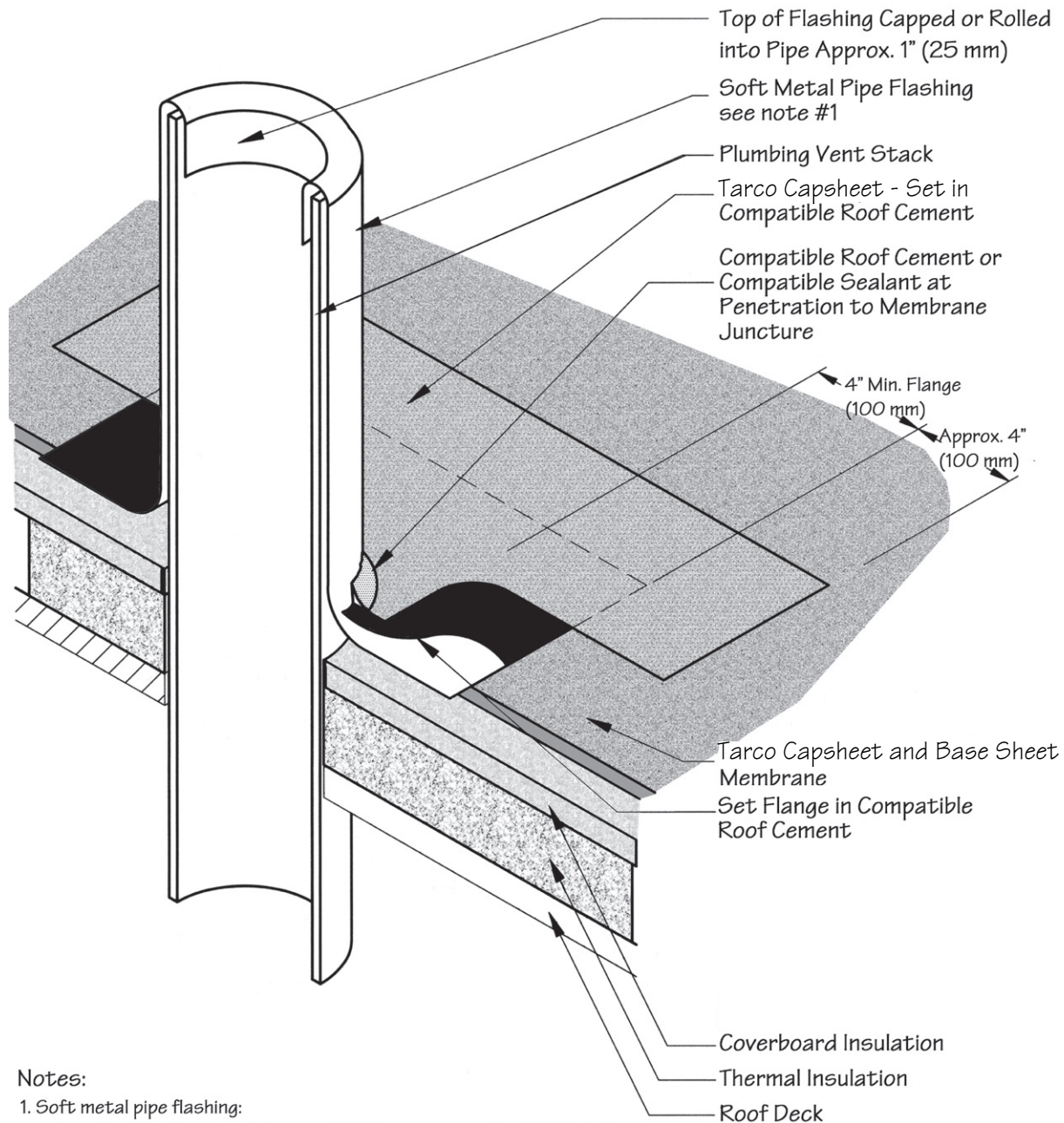
Cap Sheet Drain Detail



Notes:

1. The use of a metal deck sump pan is not recommended. However, drain receiver / bearing plates are applicable with some projects.
2. The designer should consider insulating the drain components below the deck to prevent potential condensation.
3. Membrane seams should not intersect drain clamping ring.

Cap Sheet Plumbing Vent Detail



Notes:

1. Soft metal pipe flashing:
For sheet lead, use a minimum of 2 1/2 lb. per square foot (12 kg/m²) or
For sheet copper, use a minimum 16 oz. (5 kg/m²)
2. If using copper flashing over an iron or steel pipe, insert a separator sheet (e.g., asphalt saturated roofing felt), wrapped around pipe, to separate the copper flashing from direct contact with pipe, to reduce galvanic action.
3. Vent stacks and other pipes should have a minimum of 12 inches (300 mm) of clearance on all sides from walls, curbs, and other projections to facilitate proper flashing.